

# Jojo

## Sit and stand table with H-base

Design — Iiro Viljanen



---

The height-adjustable Jojo desk increases activity and wellbeing at work. Jojo with H-base has been designed for the changing needs of learning environments in particular.

The compact Jojo desk is easy to move and highly functional, even in small spaces, which increases flexibility in various types of spaces. Its easy-to-use, effortless and stepless height adjustment enables users of various sizes and ages to work actively and ergonomically – sitting down or standing up.

The Jojo desk is also available with an X-shaped base – the desktop sizes vary depending on the base.



---

### MATERIAL DESCRIPTION:

**Table top:** white, grey, birch, oak or colour laminates, oak veneer, matt laminates, linoleums

**H-base and round column:** epoxy-lacquered steel in colour grey, white or black

---

### ACCESSORIES:

Backback hook, white metal

---

### ADJUSTMENTS:

With a gas spring and glides, the height adjustment range is 70 - 115 cm

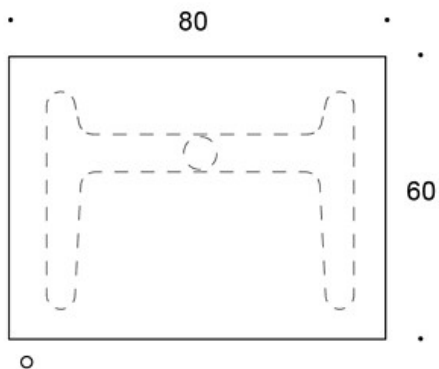
With a gas spring and lockable castors, the height adjustment range is 72 - 117.5 cm

---

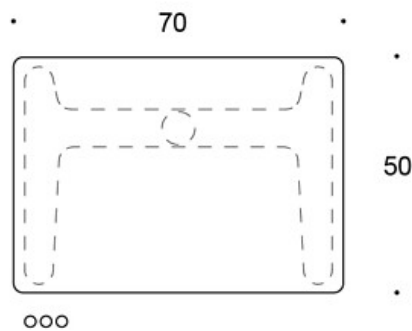
### FEATURES:

- Gas spring height adjustment
- Lockable castors or adjustable glides
- Rounded corners (oak only with sharp corners)
- Edge strip in laminate tops

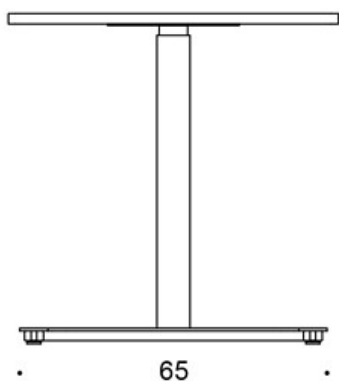
Dimensional drawing:



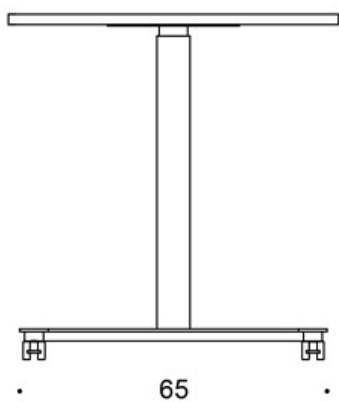
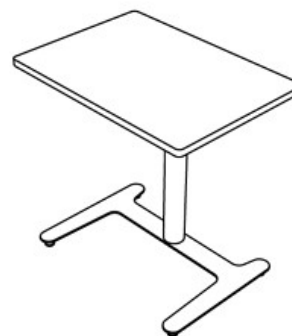
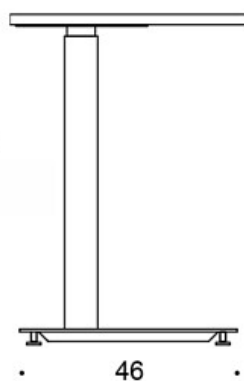
o kansi vain terävillä kulmilla /  
top only with sharp corners



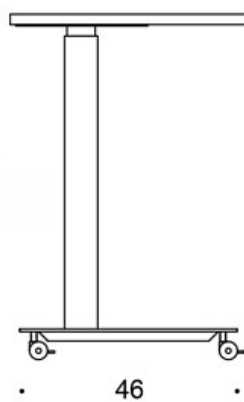
ooo kansi terävillä ja pyöristetyillä kulmilla (r20) /  
top with sharp and rounded corners (r20)



70-115 \*



72-117 \*



\* kaasujousella / with gas lift